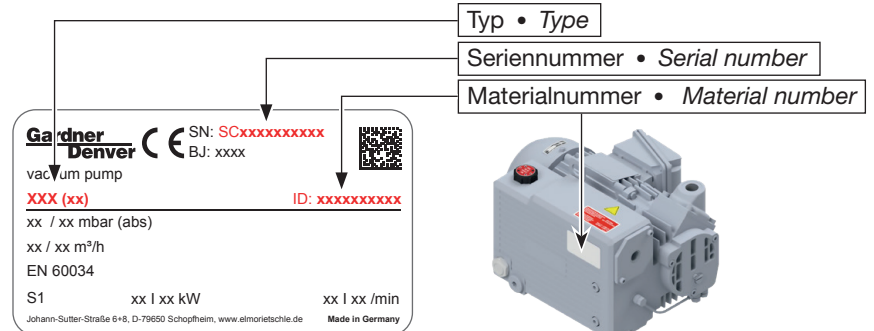


## Ersatzteilliste • Spare parts list

### V-VGD 10 | 15

i SERVICE

[www.gd-elmorietschle.com](http://www.gd-elmorietschle.com)  
[er.de@irco.com](mailto:er.de@irco.com)



**Typ • Type**  
**Seriennummer • Serial number**  
**Materialnummer • Material number**

**Gardner Denver** CE SN: SCxxxxxxxxx BJ: xxxx  
 vacuum pump  
 XXX (xx) ID: xxxxxxxxxxxx  
 xx / xx mbar (abs)  
 xx / xx m³/h  
 EN 60034  
 S1 xx l xx kW xx l xx /min  
 Johann-Sutter-Straße 6+8, D-79650 Schopfheim, www.elmorietschle.de Made in Germany

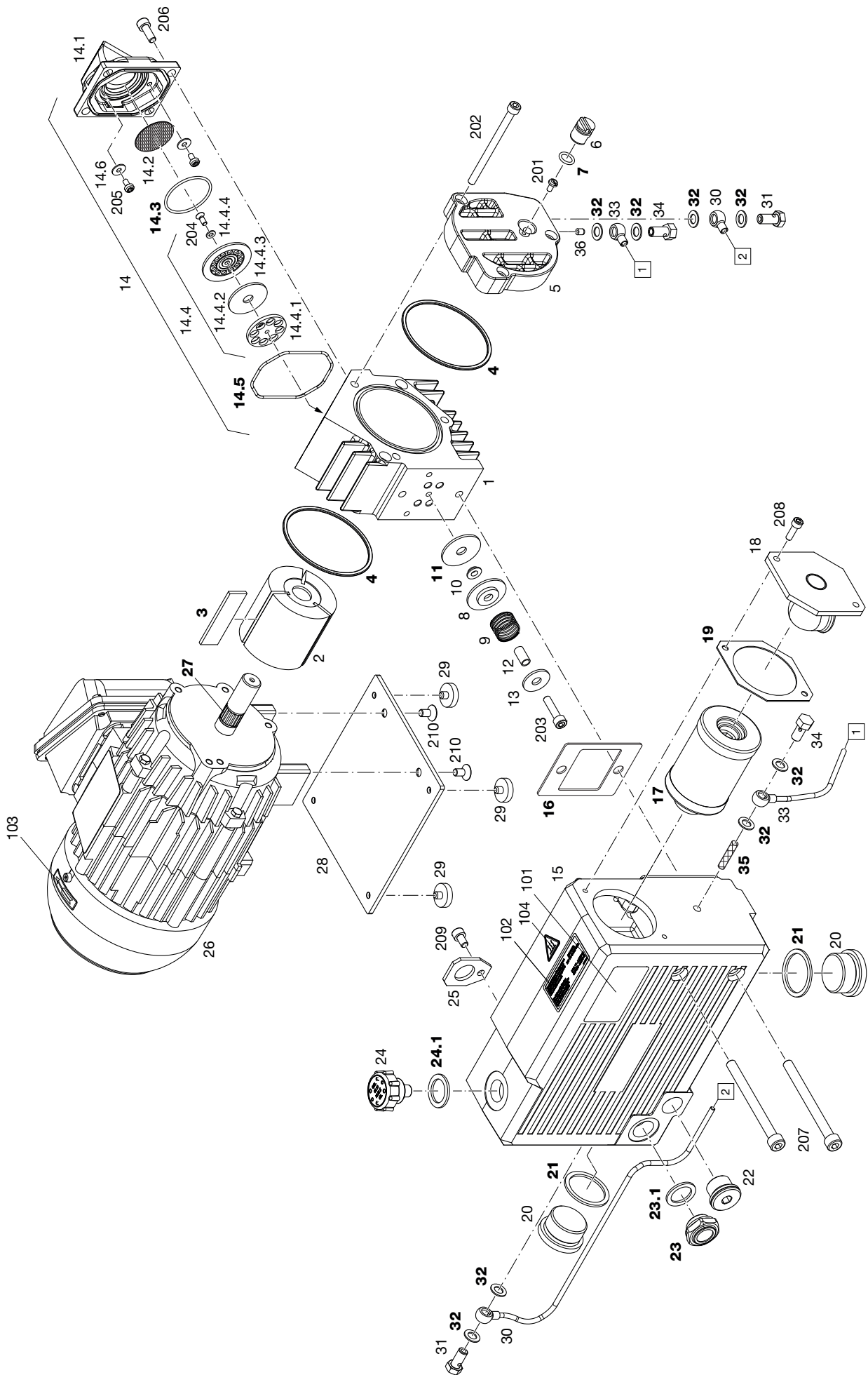
### Wichtige Komponenten und Serviceteile • Important components and service parts

| Bestell.-Nr. • Ident No. | Bezeichnung • Description   |
|--------------------------|---|
| VGD 10 1024090101        | Dichtungssatz • Set of seals<br>Enthält • contains: Pos. 4, 7, 11, 14.3, 14.5, 16, 19, 21, 23.1, 24.1, 32 |
| VGD 15 1024610101        | Dichtungssatz • Set of seals<br>Enthält • contains: Pos. 4, 7, 11, 14.3, 14.5, 16, 19, 21, 23.1, 24.1, 32 |
| VGD 10 1024090103        | Verschleißteilsatz • Set of wearing parts<br>Enthält • contains: Pos. 3, 17, 23, 23.1, 27, 35             |
| VGD 15 1024610103        | Verschleißteilsatz • Set of wearing parts<br>Enthält • contains: Pos. 3, 17, 23, 23.1, 27, 35             |

Generalüberholung: Verschleißteilsatz und Dichtungssatz erforderlich.  
 General overhaul: wearing parts kit and seal kit required.

### Öle • Oils

| Bestell.-Nr. • Ident No. | Bezeichnung • Description     |
|--------------------------|-------------------------------|
| 1 l 7204506000           | MULTI-LUBE 46                 |
| 0,35 l 7201736000        | (Mineralöl • Mineral oil)     |
| 1 l 7201496000           | SUPER-LUBE 46                 |
| 0,5 l 7201576000         | (Synthetiköl • Synthetic oil) |



| Pos.                 | Bestell-Nr. | Beschreibung              | Stk. |
|----------------------|-------------|---------------------------|------|
| <b>Grundeinheit</b>  |             |                           |      |
| 1                    | 5270790000  | Gehäuse VGD 10            | 1    |
|                      | 5270470000  | Gehäuse VGD 15            | 1    |
| 2                    | 5246240000  | Rotor                     | 1    |
| <b>3</b>             | 5670460000  | Lamelle                   | 3    |
| <b>4</b>             | 7064400000  | O-Ring                    | 2    |
| 5                    | 5293070000  | Gehäusedeckel B           | 1    |
| 6                    | 5259880000  | Einstellbolzen            | 1    |
| <b>7</b>             | 7062310000  | O-Ring                    | 1    |
| 8                    | 5270800000  | Ventilteller              | 1    |
| 9                    | 7162770000  | Druckfeder                | 1    |
| 10                   | 5271900000  | Haltering                 | 1    |
| <b>11</b>            | 5286500000  | Scheibe                   | 1    |
| 12                   | 5132950000  | Rohr Ø8                   | 1    |
| 13                   | 6200740000  | Scheibe                   | 1    |
| <b>Saugseite</b>     |             |                           |      |
| 14                   | 2139010000  | Saugluftseite G ½ kpl.    | 1    |
| 14.1                 | 5293190000  | Saugflansch G ½           | 1    |
| 14.2                 | 5291890000  | Siebscheibe               | 1    |
| <b>14.3</b>          | 7060560000  | O-Ring                    | 1    |
| 14.4                 | 2133870000  | Zwischenblech kpl.        | 1    |
| 14.4.1               | 5291870000  | Zwischenblech             | 1    |
| 14.4.2               | 5286500000  | Ventilscheibe             | 1    |
| 14.4.3               | 5291880000  | Ventilteller              | 1    |
| 14.4.4               | 7040150000  | Kupferscheibe             | 1    |
| <b>14.5</b>          | 7065920000  | O-Ring                    | 1    |
| 14.6                 | 6200160000  | Scheibe                   | 2    |
| <b>Entöler</b>       |             |                           |      |
| 15                   | 5246300000  | Entölergehäuse            | 1    |
| <b>16</b>            | 5240540000  | Dichtung Gehäuse          | 1    |
| <b>17</b>            | 7313990000  | Entölelement              | 1    |
| 18                   | 2130570000  | Ausblasdeckel kpl.        | 1    |
| <b>19</b>            | 5260070000  | Dichtung                  | 1    |
| 20                   | 6320120000  | Verschlusschraube 1" BSP  | 2    |
| <b>21</b>            | 7040630000  | Dichtring 1"              | 2    |
| 22                   | 6320730000  | Verschlusschraube G ½     | 1    |
| <b>23</b>            | 7250120000  | Ölschauglas               | 1    |
| <b>23.1</b>          | 7040390000  | Dichtring                 | 1    |
| 24                   | 3041960000  | Öleinfüllschraube kpl.    | 1    |
| <b>24.1</b>          | 7040430000  | Dichtring                 | 1    |
| 25                   | 5224420000  | Transportflasche          | 1    |
| <b>Antrieb</b>       |             |                           |      |
| 26                   | -           | Motor (siehe Typenschild) | 1    |
| <b>27</b>            | 6226150000  | Toleranzring              | 1    |
| <b>Fuß</b>           |             |                           |      |
| 28                   | 5293200000  | Fußplatte                 | 1    |
| 29                   | 7100900000  | Schwingmetallpuffer M6    | 4    |
| <b>Rohrleitungen</b> |             |                           |      |
| 30                   | 3187720000  | Rohrleitung               | 1    |
| 31                   | 6300100000  | Hohlschraube              | 2    |
| <b>32</b>            | 7040190000  | Dichtring                 | 8    |
| 33                   | 3187730000  | Ölleitung, gerade         | 1    |
| 34                   | 5257920000  | Hohlschraube              | 2    |
| <b>35</b>            | 5158390000  | Ansaugsieb                | 1    |
| 36                   | 5036540000  | Düse                      | 1    |

| Pos.             | Bestell-Nr. | Beschreibung                | Stk. |
|------------------|-------------|-----------------------------|------|
| <b>Schilder</b>  |             |                             |      |
| 101              | ZS1068091   | Datenschild                 | 1    |
| 102              | 5247100000  | Ölempfehlungsschild         | 1    |
| 103              | 5254420000  | Schild Drehrichtung         | 1    |
| 104              | 5246960000  | Warnschild Heiße Oberfläche | 1    |
| <b>Schrauben</b> |             |                             |      |
| 201              | 6142220000  | Flachkopfschraube M4        | 1    |
| 202              | 6107150000  | Innensechskantschraube M6   | 3    |
| 203              | 6104910000  | Innensechskantschraube M6   | 1    |
| 204              | 6142420000  | Senkkopfschraube M4         | 1    |
| 205              | 6142530000  | Linsenkopfschraube M4       | 2    |
| 206              | 6104860000  | Innensechskantschraube M6   | 4    |
| 207              | 6107170000  | Innensechskantschraube M8   | 2    |
| 208              | 6104850000  | Innensechskantschraube M5   | 2    |
| 209              | 6105340000  | Innensechskantschraube M6   | 1    |
| 210              | 6107190000  | Senkschraube M6             | 2    |

Die Komponenten und Serviceteile deren Positionsnummern in der Zeichnung und der Liste hervorgehoben sind, sind in Wartungs-, Dichtungs- und Verschleißteilsätzen enthalten.

| Pos.                 | Ident no.  | Description             | Qty. |
|----------------------|------------|-------------------------|------|
| <b>Basic Unit</b>    |            |                         |      |
| 1                    | 5270790000 | Housing VGD 10          | 1    |
|                      | 5270470000 | Housing VGD 15          | 1    |
| 2                    | 5246240000 | Rotor                   | 1    |
| <b>3</b>             | 5670460000 | Blade                   | 3    |
| <b>4</b>             | 7064400000 | O-ring                  | 2    |
| 5                    | 5293070000 | Housing cover B         | 1    |
| 6                    | 5259880000 | Adjusting bolt          | 1    |
| <b>7</b>             | 7062310000 | O-ring                  | 1    |
| 8                    | 5270800000 | Valve plate             | 1    |
| 9                    | 7162770000 | Pressure spring         | 1    |
| 10                   | 5271900000 | Retainer ring           | 1    |
| <b>11</b>            | 5286500000 | Disc                    | 1    |
| 12                   | 5132950000 | Pipe Ø8                 | 1    |
| 13                   | 6200740000 | Disc                    | 1    |
| <b>Suction side</b>  |            |                         |      |
| 14                   | 2139010000 | Suction side G ½ cpl.   | 1    |
| 14.1                 | 5293190000 | Suction flange G ½      | 1    |
| 14.2                 | 5291890000 | Mesh disc               | 1    |
| <b>14.3</b>          | 7060560000 | O-ring                  | 1    |
| 14.4                 | 2133870000 | Intermediate sheet cpl. | 1    |
| 14.4.1               | 5291870000 | Intermediate sheet      | 1    |
| 14.4.2               | 5286500000 | Valve disc              | 1    |
| 14.4.3               | 5291880000 | Valve plate             | 1    |
| 14.4.4               | 7040150000 | Copper washer           | 1    |
| <b>14.5</b>          | 7065920000 | O-ring                  | 1    |
| 14.6                 | 6200160000 | Washer                  | 2    |
| <b>Oil separator</b> |            |                         |      |
| 15                   | 5246300000 | Oil separator housing   | 1    |
| <b>16</b>            | 5240540000 | Gasket Housing          | 1    |
| <b>17</b>            | 7313990000 | Oil separator element   | 1    |
| 18                   | 2130570000 | Exhaust cover cpl.      | 1    |
| <b>19</b>            | 5260070000 | Gasket                  | 1    |
| 20                   | 6320120000 | Lock plug 1" BSP        | 2    |
| <b>21</b>            | 7040630000 | Sealing ring 1"         | 2    |
| 22                   | 6320730000 | Lock plug G ½           | 1    |
| <b>23</b>            | 7250120000 | Oil sight glass         | 1    |
| <b>23.1</b>          | 7040390000 | Sealing ring            | 1    |
| 24                   | 3041960000 | Oil filler plug cpl.    | 1    |
| <b>24.1</b>          | 7040430000 | Sealing ring            | 1    |
| 25                   | 5224420000 | Lifting lug             | 1    |
| <b>Drive</b>         |            |                         |      |
| 26                   | -          | Motor (see type plate)  | 1    |
| <b>27</b>            | 6226150000 | Tolerance ring          | 1    |
| <b>Foot</b>          |            |                         |      |
| 28                   | 5293200000 | Foot plate              | 1    |
| 29                   | 7100900000 | Rubber foot M6          | 4    |
| <b>Piping</b>        |            |                         |      |
| 30                   | 3187720000 | Pipe                    | 1    |
| 31                   | 6300100000 | Banjo bolt              | 2    |
| <b>32</b>            | 7040190000 | Sealing ring            | 8    |
| 33                   | 3187730000 | Oil pipe, straight      | 1    |
| 34                   | 5257920000 | Banjo bolt              | 2    |
| <b>35</b>            | 5158390000 | Suction mesh            | 1    |
| 36                   | 5036540000 | Nozzle                  | 1    |

| Pos.          | Ident no.  | Description               | Qty. |
|---------------|------------|---------------------------|------|
| <b>Labels</b> |            |                           |      |
| 101           | ZS1068091  | Data plate                | 1    |
| 102           | 5247100000 | Oil type plate            | 1    |
| 103           | 5254420000 | Label Rotation direction  | 1    |
| 104           | 5246960000 | Warning label Hot surface | 1    |
| <b>Screws</b> |            |                           |      |
| 201           | 6142220000 | Flat head screw M4        | 1    |
| 202           | 6107150000 | Allen bolt M6             | 3    |
| 203           | 6104910000 | Allen bolt M6             | 1    |
| 204           | 6142420000 | Countersunk screw M4      | 1    |
| 205           | 6142530000 | Pan head screw M4         | 2    |
| 206           | 6104860000 | Allen bolt M6             | 4    |
| 207           | 6107170000 | Allen bolt M8             | 2    |
| 208           | 6104850000 | Allen bolt M5             | 2    |
| 209           | 6105340000 | Allen bolt M6             | 1    |
| 210           | 6107190000 | Countersunk screw M6      | 2    |

The components and service parts whose item numbers are highlighted in the drawing and the list, are included in maintenance, sealing and wearing parts kits.