

Ersatzteilliste • Spare parts list

C-VLR 301

i
SERVICE
➔

www.gd-elmoietschle.com
er.de@irco.com

Gardner Denver SN: SCxxxxxxxxx
BJ: xxxxx

vacuum pump
XXX (xx) ID: xxxxxxxxxxxx

xx / xx mbar (abs)
xx / xx m³/h
EN 60034


S1 xx l xx kW xx l xx /min

Johann-Sutter-Straße 6+8, D-79650 Schopfheim, www.elmoietschle.de Made in Germany

Typ • Type

Seriennummer • Serial number

Materialnummer • Material number

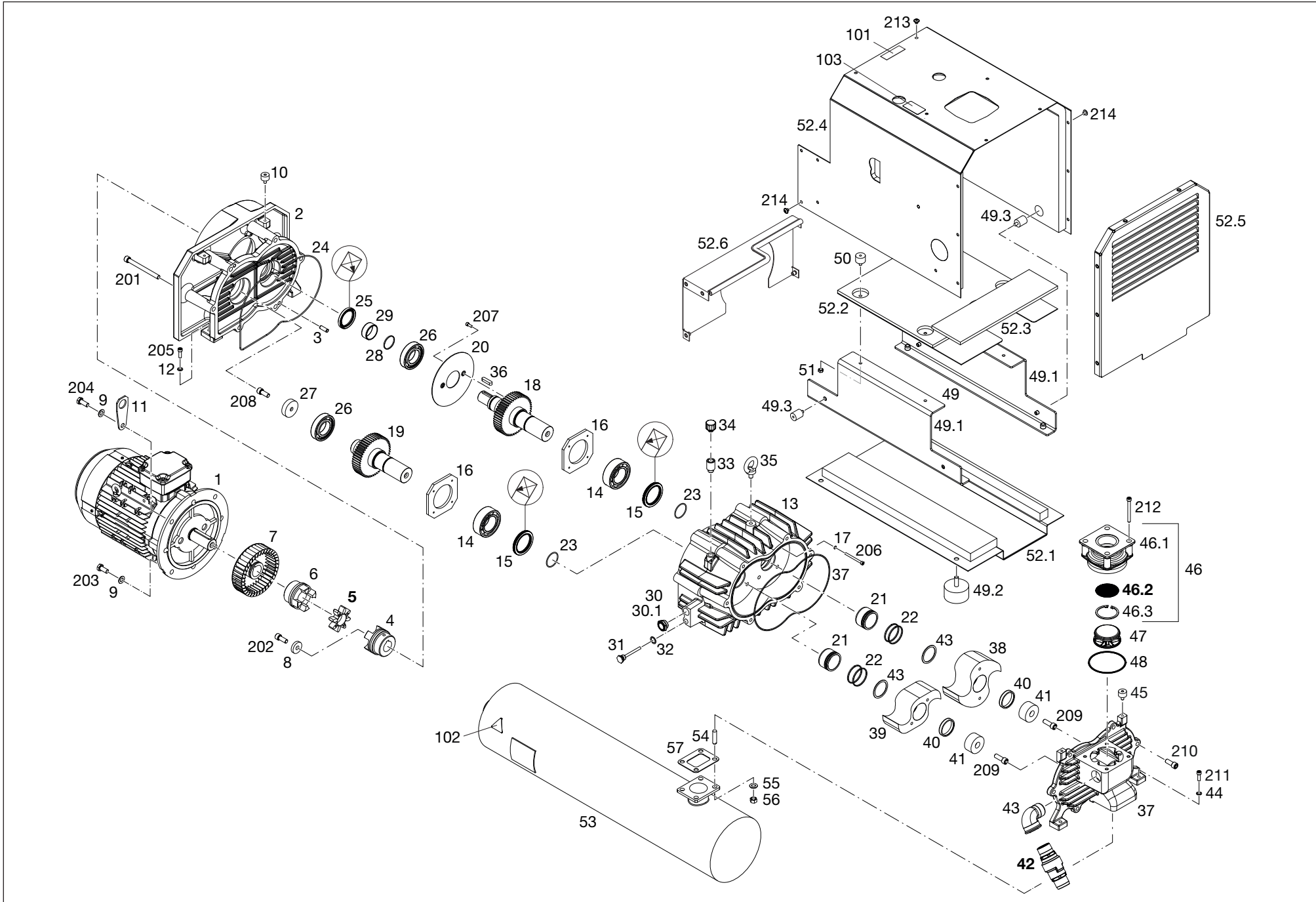


Wichtige Komponenten und Serviceteile • Important components and service parts

| Bestell.-Nr. • Ident No. | Bezeichnung • Description |
|--------------------------|---|
| ZS1178582 | Zahnkranz • Gear rim |
| 5290700000 | Siebscheibe • Sieve disc |
| ZS1143306 | Vakuumbegrenzungsventil ZUV 32 • Vacuum limitation valve ZUV 32 |

Öle • Oils

| Bestell.-Nr. • Ident No. | Bezeichnung • Description |
|--------------------------|--|
| 1 l 7201706000 | GEAR LUBE 150 |
| 200 l 7201656000 | (Synthetiköl • Synthetic oil) |
| 1 l 7203850000 | ECO GEAR LUBE 150 (Synthetiköl für die Lebensmittel- und Pharmaindustrie • Synthetic oil for nutrition and health industries) |



| Pos. | Bestell-Nr. | Beschreibung | Stk. | Pos. | Bestell-Nr. | Beschreibung | Stk. |
|-----------------------------|-------------|---|------|--|-------------|------------------------------------|------|
| Antrieb | | | | Abdeckhaube | | | |
| 1 | - | Motor (siehe Typenschild) | 1 | 49 | ZS1085623 | Fuß kpl. | 2 |
| 2 | ZS1085329 | Ventilatorgehäuse | 1 | 49.1 | ZS1162958 | Fuß | 2 |
| 3 | 6240660000 | Zylinderstift | 2 | 49.2 | 7100350000 | Schwingmetallpuffer M12, 75 x 40 | 4 |
| 4 | ZS1183376 | Kupplung, getrieben | 1 | 49.3 | ZS1085627 | Schwingmetallpuffer M8, 25 x 30 | 4 |
| 5 | ZS1178582 | Zahnkranz | 1 | 50 | ZS1104216 | Schwingmetallpuffer M8, 40 x 20 | 4 |
| 6 | ZS1183377 | Kupplung, treibend | 1 | 51 | 6181120000 | Mutter M8 | 1 |
| 7 | ZS1085931 | Ventilator | 1 | 52 | ZS1118475 | Blechteile | 1 |
| 8 | ZS1085932 | Scheibe | 1 | 52.1 | ZS1085621 | Bodenblech mit Dämmmatte | 1 |
| 9 | 6200140000 | Scheibe | 4 | 52.2 | ZS1085620 | Zwischenblech mit Dämmmatte | 1 |
| 10 | 7101020000 | Schwingmetallpuffer M8, 25 x 15 | 2 | 52.3 | ZS1085832 | Dämmmatte | 1 |
| 11 | ZS1085924 | Transportlasche | 1 | 52.4 | ZS1085619 | Haube mit Dämmmatte | 1 |
| 12 | 6200080000 | Scheibe | 2 | 52.5 | ZS1091018 | Frontblech | 1 |
| Getriebe | | | | 52.6 | ZS1085622 | Abdeckblech | 1 |
| 13 | ZS1085327 | Gehäuse | 1 | Schalldämpfer | | | |
| 14 | 6022170000 | Schräggugellager | 2 | 53 | ZS1192914 | Schalldämpfer | 1 |
| 15 | ZS1105068 | Wellendichtring | 2 | 54 | 6161520000 | Gewindestift M12 x 50 | 4 |
| 16 | ZS1085610 | Lagerdeckel | 2 | 55 | 6200140000 | Scheibe | 4 |
| 17 | 7040170000 | Dichtring | 8 | 56 | 6180090000 | Mutter M12 | 4 |
| 18 | ZS1085549 | Welle mit Zahrad, treibend | 1 | 57 | 5270140000 | Dichtung | 1 |
| 19 | ZS1085550 | Welle mit Zahnrad, getrieben | 1 | Schilder | | | |
| 20 | ZS1085613 | Schleuderscheibe | 1 | 101 | ZS1068091 | Typenschild | 1 |
| 21 | ZS1086113 | Hülse | 2 | 102 | 5246950000 | Warnschild Heiße Oberfläche | 1 |
| 22 | 7313350000 | Kolbenring | 4 | 103 | 5270440000 | Ölempfehlungsschild | 1 |
| 23 | 7064590000 | O-Ring | 2 | Schrauben | | | |
| 24 | 7064720000 | O-Ring | 1 | 201 | 6107460000 | Innensechskantschraube M12 x 130 | 6 |
| 25 | ZS1105069 | Wellendichtring | 1 | 202 | 6510300000 | Innensechskantschraube M12x30 | 1 |
| 26 | 6022090000 | Rillenkugellager | 2 | 203 | 6121250000 | Sechskantschraube M12 x 30 | 3 |
| 27 | 5264100000 | Deckel | 1 | 204 | 6508670000 | Sechskantschraube M12 x 35 | 1 |
| 28 | 7062800000 | O-Ring | 1 | 205 | 6104880000 | Innensechskantschraube M8 x 25 | 2 |
| 29 | 6000670000 | Innenring | 1 | 206 | 6104800000 | Innensechskantschraube M6 x 70 | 8 |
| 30 | 7250130000 | Ölauge G $\frac{3}{4}$ | 1 | 207 | 6107470000 | Innensechskantschraube M6 x 16 | 2 |
| 30.1 | 7040380000 | Dichtring | 1 | 208 | 6510300000 | Innensechskantschraube M12 x 30 | 1 |
| 31 | ZS1067611 | Verschlussschraube mit Magnet G $\frac{3}{8}$ | 1 | 209 | 6107340000 | Innensechskantschraube M12 x 35 | 2 |
| 32 | 7045630000 | Dichtring | 1 | 210 | 6104610000 | Innensechskantschraube M12 x 30 | 6 |
| 33 | 6407220000 | Verlängerung G $\frac{3}{8}$ | 1 | 211 | 6100590000 | Innensechskantschraube M8 x 25 | 2 |
| 34 | 6407040000 | Entlüftungsschraube G $\frac{3}{8}$ | 1 | 212 | 6104400000 | Innensechskantschraube M8 x 80 | 4 |
| 35 | 6121000000 | Ringschraube M12 | 1 | 213 | ZS1086733 | Flachkopfschraube M8 x 8, Flansch | 8 |
| 36 | 6280200000 | Passfeder | 1 | 214 | ZS1100323 | Flachkopfschraube M8 x 16, Flansch | 13 |
| Verdichter | | | | Die Dichtungen und Verschleißteile deren Positionsnummern in der Zeichnung und der Liste hervorgehoben sind, sind in Reparatursätzen enthalten. | | | |
| 37 | ZS1085331 | Deckel B | 1 | | | | |
| 38 | ZS1085611 | Rotor, treibend | 1 | | | | |
| 39 | ZS1085612 | Rotor, getrieben | 1 | | | | |
| 40 | ZS1085614 | Konus-Spannelement | 2 | | | | |
| 41 | ZS1085629 | Scheibe | 2 | | | | |
| Anbauteile Saugseite | | | | | | | |
| 42 | ZS1143306 | Vakuumbegrenzungsventil R1 $\frac{1}{4}$ | 1 | | | | |
| 43 | 6406330000 | Winkel | 1 | | | | |
| 44 | 6200080000 | Scheibe | 2 | | | | |
| 45 | 7101020000 | Schwingmetallpuffer M8, 25 x 15 | 2 | | | | |
| Saugluftseite | | | | | | | |
| 46 | 2132560000 | Saugflansch G2 kpl. | 1 | | | | |
| 46.1 | 5296440000 | Saugflansch G2 | 1 | | | | |
| 46.2 | 5290700000 | Siebscheibe | 1 | | | | |
| 46.3 | 6227550000 | Sicherungsring | 1 | | | | |
| 47 | 2140120000 | Rückschlagventil kpl. | 1 | | | | |
| 48 | 7066120000 | O-Ring | 1 | | | | |

| Pos. | Ident No. | Description | Qty. |
|---|------------|---|------|
| Drive | | | |
| 1 | - | Motor (see Typeplate) | 1 |
| 2 | ZS1085329 | Fan housing | 1 |
| 3 | 6240660000 | Dowel pin | 2 |
| 4 | ZS1183376 | Coupling, driven | 1 |
| 5 | ZS1178582 | Gear rim | 1 |
| 6 | ZS1183377 | Cuopling, driving | 1 |
| 7 | ZS1085931 | Fan | 1 |
| 8 | ZS1085932 | Disc | 1 |
| 9 | 6200140000 | Washer | 4 |
| 10 | 7101020000 | Rubber foot M8, 25 x 15 | 2 |
| 11 | ZS1085924 | Lifting lug | 1 |
| 12 | 6200080000 | Washer | 2 |
| Gear | | | |
| 13 | ZS1085327 | Housing | 1 |
| 14 | 6022170000 | Angular ball bearing | 2 |
| 15 | ZS1105068 | Shaft seal | 2 |
| 16 | ZS1085610 | Bearing cover | 2 |
| 17 | 7040170000 | Sealing ring | 8 |
| 18 | ZS1085549 | Shaft with gear wheel, driving | 1 |
| 19 | ZS1085550 | Shaft with gear wheel, driven | 1 |
| 20 | ZS1085613 | Slinger | 1 |
| 21 | ZS1086113 | Sleeve | 2 |
| 22 | 7313350000 | Piston ring | 4 |
| 23 | 7064590000 | O-Ring | 2 |
| 24 | 7064720000 | O-Ring | 1 |
| 25 | ZS1105069 | Shaft seal ring | 1 |
| 26 | 6022090000 | Deep groove ball bearing | 2 |
| 27 | 5264100000 | Cover | 1 |
| 28 | 7062800000 | O-Ring | 1 |
| 29 | 6000670000 | Sleeve | 1 |
| 30 | 7250130000 | Oil sight glass G $\frac{3}{4}$ | 1 |
| 30.1 | 7040380000 | Sealing ring | 1 |
| 31 | ZS1067611 | Threaded plug with magnet G $\frac{3}{8}$ | 1 |
| 32 | 7045630000 | Sealing ring | 1 |
| 33 | 6407220000 | Fitting G $\frac{3}{8}$ | 1 |
| 34 | 6407040000 | Vented oil fill cap G $\frac{3}{8}$ | 1 |
| 35 | 6121000000 | Eye bolt M12 | 1 |
| 36 | 6280200000 | Key | 1 |
| Compressor | | | |
| 37 | ZS1085331 | Cover B | 1 |
| 38 | ZS1085611 | Rotor, driving | 1 |
| 39 | ZS1085612 | Rotor, driven | 1 |
| 40 | ZS1085614 | Conical-clamping element | 2 |
| 41 | ZS1085629 | Disc | 2 |
| Attachment parts on suction side | | | |
| 42 | ZS1143306 | Vacuum limitation valve R1 $\frac{1}{4}$ | 1 |
| 43 | 6406330000 | Elbow | 1 |
| 44 | 6200080000 | Washer | 2 |
| 45 | 7101020000 | Rubber foot M8, 25 x 15 | 2 |
| Suction side | | | |
| 46 | 2132560000 | Suction flange G2 cpl. | 1 |
| 46.1 | 5296440000 | Suction flange G2 | 1 |
| 46.2 | 5290700000 | Sieve disc | 1 |
| 46.3 | 6227550000 | Retaining ring | 1 |
| 47 | 2140120000 | None return valve cpl. | 1 |
| 48 | 7066120000 | O-Ring | 1 |

| Pos. | Ident No. | Description | Qty. |
|----------------------|------------|--------------------------------------|------|
| Covering hood | | | |
| 49 | ZS1085623 | Foot cpl. | 2 |
| 49.1 | ZS1162958 | Foot | 2 |
| 49.2 | 7100350000 | Rubber foot M12, 75 x 40 | 4 |
| 49.3 | ZS1085627 | Rubber foot M8, 25 x 30 | 4 |
| 50 | ZS1104216 | Rubber foot M8, 40 x 20 | 4 |
| 51 | 6181120000 | Nut M8 | 1 |
| 52 | ZS1118475 | Metal sheet parts | 1 |
| 52.1 | ZS1085621 | Base plate with acoustic mat | 1 |
| 52.2 | ZS1085620 | Intermediate plate with acoustic mat | 1 |
| 52.3 | ZS1085832 | Acoustic mat | 1 |
| 52.4 | ZS1085619 | Cover | 1 |
| 52.5 | ZS1091018 | Front plate | 1 |
| 52.6 | ZS1085622 | Covering plate | 1 |
| Silencer | | | |
| 53 | ZS1192914 | Silencer | 1 |
| 54 | 6161520000 | Threaded pin M12 x 50 | 4 |
| 55 | 6200140000 | Washer | 4 |
| 56 | 6180090000 | Nut M12 | 4 |
| 57 | 5270140000 | Gasket | 1 |
| Labels | | | |
| 101 | ZS1068091 | Type plate | 1 |
| 102 | 5246950000 | Warning label Hot surface | 1 |
| 103 | 5270440000 | Oil recommendation plate | 1 |
| Screws | | | |
| 201 | 6107460000 | Allen bolt M12 x 130 | 6 |
| 202 | 6510300000 | Allen bolt M12x30 | 1 |
| 203 | 6121250000 | Hex head screw M12 x 30 | 3 |
| 204 | 6508670000 | Hex head screw M12 x 35 | 1 |
| 205 | 6104880000 | Allen bolt M8 x 25 | 2 |
| 206 | 6104800000 | Allen bolt M6 x 70 | 8 |
| 207 | 6107470000 | Allen bolt M6 x 16 | 2 |
| 208 | 6510300000 | Allen bolt M12 x 30 | 1 |
| 209 | 6107340000 | Allen bolt M12 x 35 | 2 |
| 210 | 6104610000 | Allen bolt M12 x 30 | 6 |
| 211 | 6100590000 | Allen bolt M8 x 25 | 2 |
| 212 | 6104400000 | Allen bolt M8 x 80 | 4 |
| 213 | ZS1086733 | Flat head screw M8 x 8, flange | 8 |
| 214 | ZS1100323 | Flat head screw M8 x 16, flange | 13 |

The seals and wearing parts whose item numbers are highlighted in the drawing and the list, are included in repair kits.